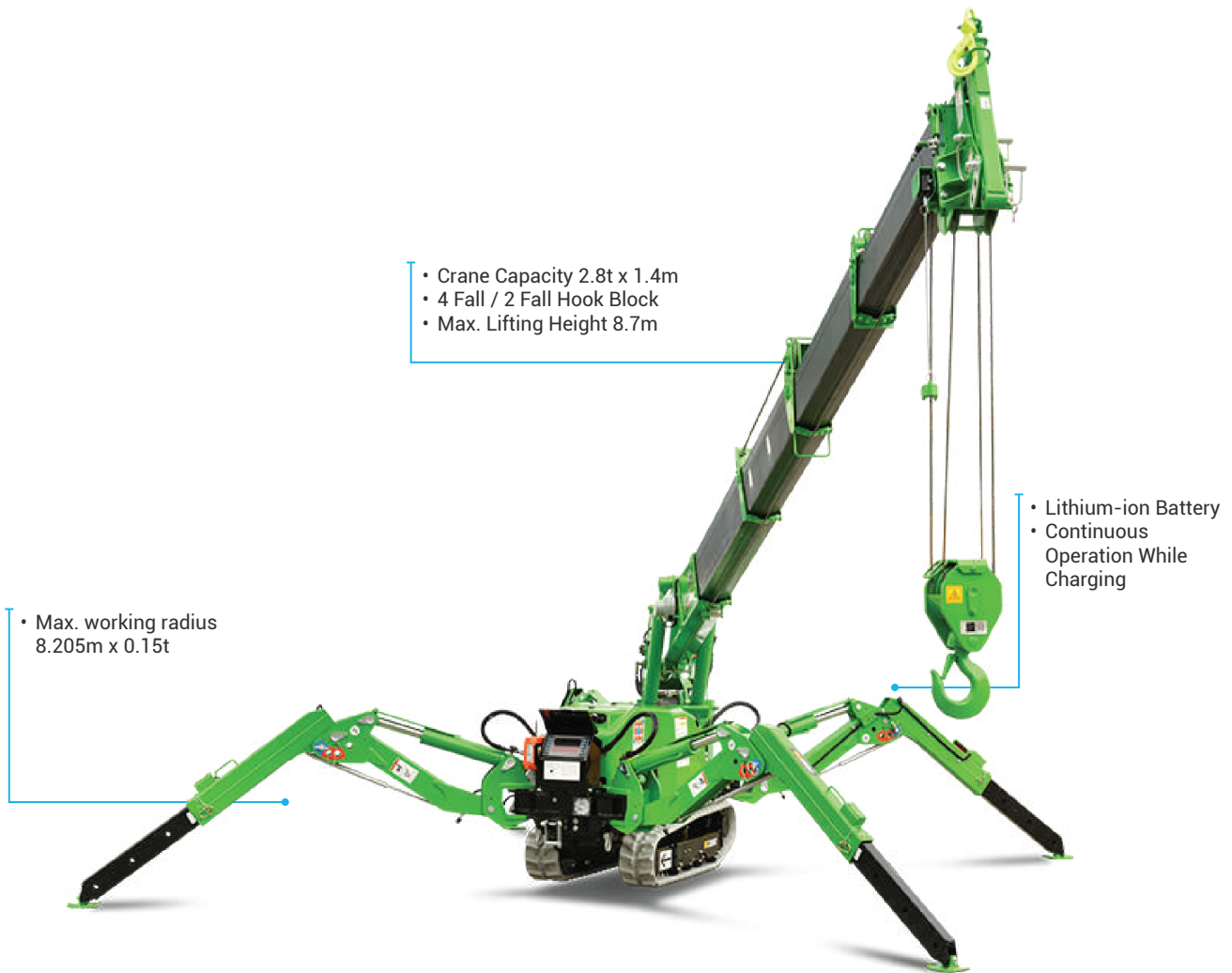


SUPERCRANE™ 285CB



WE SERVICE SYDNEY-WIDE AND REGIONAL NSW

The fully electric-powered SuperCrane™ 285CB mini crane with zero emission, without compromising on performance. Innovative lithium-ion batteries make these models environmentally friendly, economical, efficient, and safe. You can fully operate the crane while charging and short recharge time allows for a more continuous operation. Consider the possibilities...

SPECIFICATIONS SUPERCRANE™

285CB

DIMENSIONS

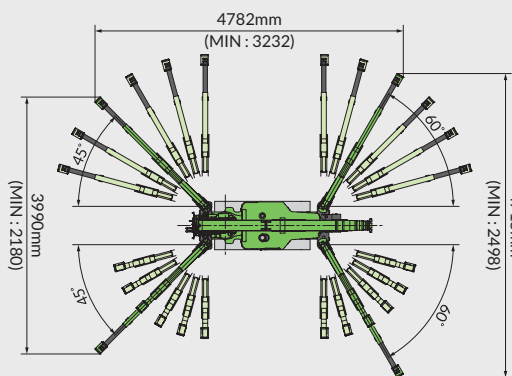
Length	2800mm
Width	750mm
Height	1740mm
Weight	1995kg

CAPACITY

Max. capacity Max.	2820kg at 1.4m
Max. working radius (main boom)	8.205m x 0.15t
Max. working radius (fly jib)	N/A
Max. lifting height (main boom)	8.7m
Max. lifting height (fly jib)	N/A

BATTERY

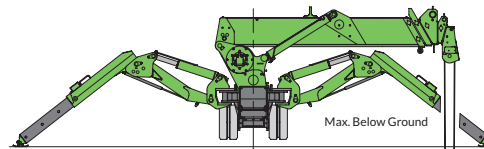
Type	Lithium Titanate Battery
Charging time (with AC-200V)	80%: 2h 20min / 100%: 3h 30min
Charging time (with AC-200V)	80%: 5h 20min / 100%: 7h 00min



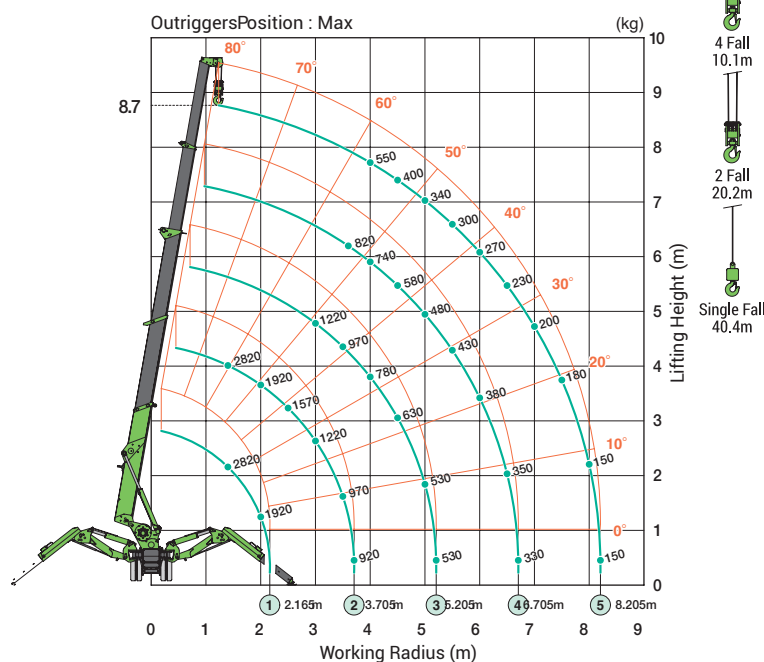
* Due to improvements, the specifications are subject to change without notice.

WORKING RANGE

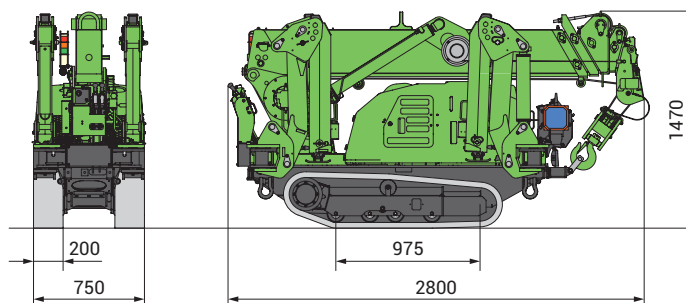
Max. Reach Below Ground



Working Range Chart (4 falls)



Dimensions



SPECIFICATIONS SUPERCRANE™

285CB

LOAD CHART

OUTRIGGER EXTENDED TO MAXIMUM							
2.535m / 4.075m Boom		5.575m Boom		7.075m Boom		8.575m Boom	
Working radius(m)	Rated total load(kg)	Working radius(m)	Rated total load(kg)	Working radius(m)	Rated total load(kg)	Working radius(m)	Rated total load(kg)
1.4 or less	2820	3.0 or less	1220	3.6 or less	820	4.0 or less	550
1.5	2520	3.5	970	4.0	740	4.5	400
2.0	1920	4.0	780	4.5	580	5.0	340
2.5	1570	4.5	630	5.0	480	5.5	300
3.0	1220	5.0	530	5.5	430	6.0	270
3.5	970	5.205	530	6.0	380	6.5	230
3.705	920			6.5	350	7.0	200
				6.705	330	7.5	180
						8.0	150
						8.205	150

OUTRIGGER EXTENDED TO OTHER THAN MAXIMUM							
2.535m / 4.075m Boom		5.575m Boom		7.075m Boom		8.575m Boom	
Working radius(m)	Rated total load(kg)	Working radius(m)	Rated total load(kg)	Working radius(m)	Rated total load(kg)	Working radius(m)	Rated total load(kg)
1.5 or less	1720	3.0 or less	510	3.6 or less	400	4.0 or less	330
2.0	1070	3.5	410	4.0	330	4.5	280
2.5	630	4.0	330	4.5	280	5.0	230
3.0	520	4.5	280	5.0	230	5.5	180
3.5	390	5.0	200	5.5	180	6.0	160
3.705	350	5.205	200	6.0	160	6.5	130
				6.5	130	7.0	100
				6.705	120	7.5	80
						8.0	70
						8.205	60

- The Rated Total Load Chart is based on actual working radius including boom deflection.
- The weight of hook block (standard 4 fall / 2 fall-30kg) must be included as part of the load shown in the Rated Total Load Chart.
- When using two falls hook or single fall hook, use the appropriate four falls Rated Total Load Chart shown above but with a maximum load of: -1410kg for two falls and -710kg for Single fall.

The total rated load charts are based on the actual working radius including boom deflection

Disclaimer : All information provided in this publication is correct at time of printing. Please contact Complete Glass for any updated versions.