

MAEDA MINI CRAWLER CRANES

LITTLE CRANES WITH BIG IDEAS

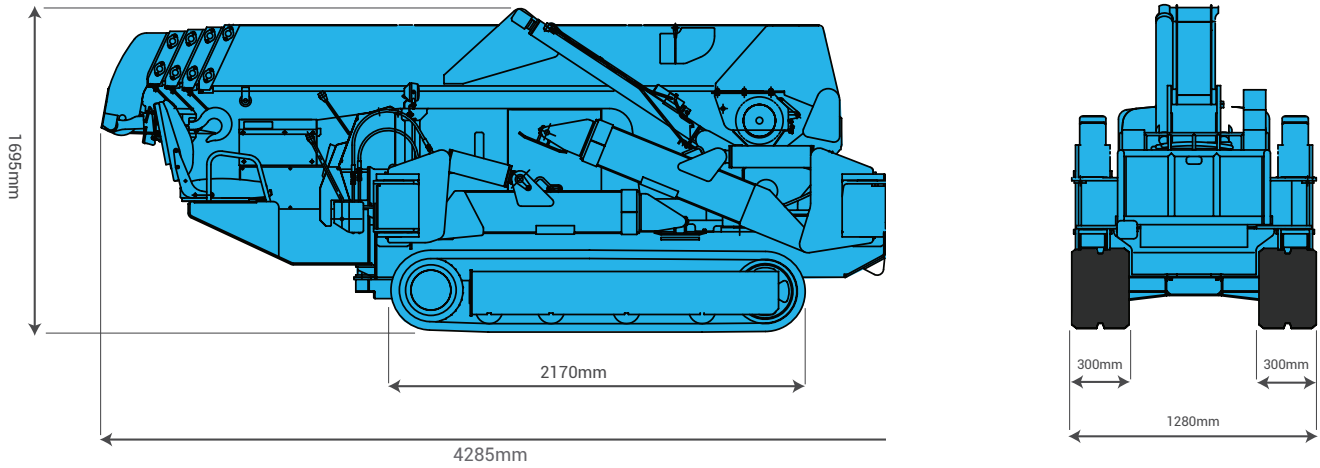


For further details please contact Complete Glass. Due to improvements, the specifications are subject to change without notice.

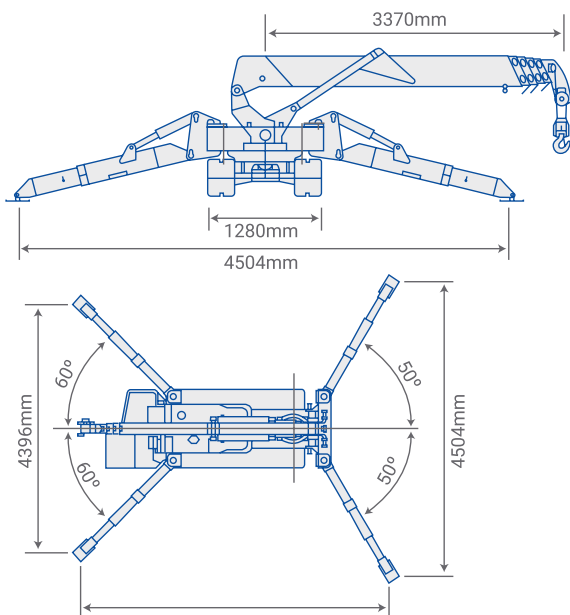
DIMENSIONS

MAEDA MC305c-2

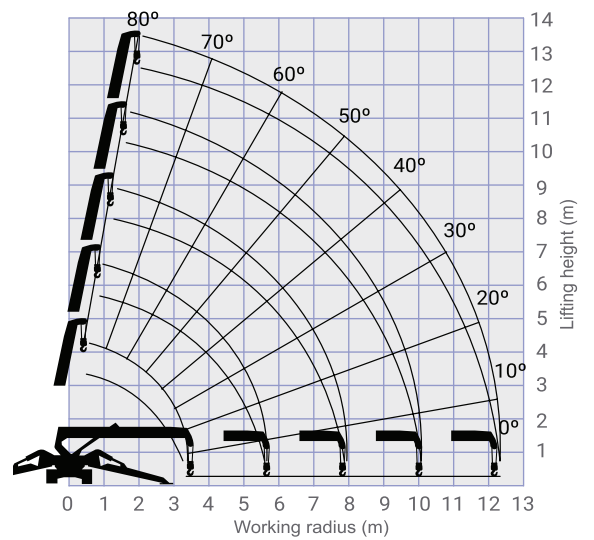
OVERALL SIZE



OUTRIGGER SPREAD DIMENSIONS



WORKING RANGE CHART



The Working Range Chart does not take into account boom deflection under load.

The maximum reach below ground level is:

Four Fall	Two Fall	Single Fall
16.09m	32.18m	64.36m

LOAD CHARTS

MAEDA MC305c-2

TOTAL RATED LOAD Outriggers at Maximum Position

5.945m boom		8.145m boom		10.315m boom		12.485m boom	
Working radius (m)	Total rated load (kg)	Working radius (m)	Total rated load (kg)	Working radius (m)	Total rated load (kg)	Working radius (m)	Total rated load (kg)
< 2.5	2980	2.7	2270	4.0	1080	< 4.5	790
3.0	2390	3.0	2120	4.5	985	5.0	660
3.5	1990	3.5	1680	5.0	880	6.0	520
4.0	1710	4.0	1440	6.0	770	7.0	430
4.5	1490	4.5	1260	7.0	670	8.0	380
5.0	1340	5.0	1110	8.0	570	9.0	340
5.62	1160	5.5	990	9.0	500	10.0	310
		6.0	880	9.99	435	11.0	280
		7.0	730			12.16	260
		7.82	630				

TOTAL RATED LOAD Outriggers at Intermediate Position

5.945m boom		8.145m boom		10.315m boom		12.485m boom	
Working radius (m)	Total rated load (kg)	Working radius (m)	Total rated load (kg)	Working radius (m)	Total rated load (kg)	Working radius (m)	Total rated load (kg)
< 2.5	2980	2.7	2270	4.0	1060	< 4.5	780
3.0	2390	3.0	2090	4.5	950	5.0	650
3.5	1960	3.5	1680	5.0	860	6.0	500
4.0	1680	4.0	1420	6.0	750	7.0	410
4.5	1380	4.5	1240	7.0	630	8.0	360
5.0	1140	5.0	1070	8.0	490	9.0	320
5.62	950	5.5	950	9.0	410	10.0	290
		6.0	800	9.99	350	11.0	260
		7.0	610			12.16	250
		7.82	520				

TOTAL RATED LOAD Outriggers at Minimum Position

5.945m boom		8.145m boom		10.315m boom		12.485m boom	
Working radius (m)	Total rated load (kg)	Working radius (m)	Total rated load (kg)	Working radius (m)	Total rated load (kg)	Working radius (m)	Total rated load (kg)
< 2.5	2980	2.7	2270	4.0	1060	< 4.5	780
3.0	2350	3.0	2090	4.5	950	5.0	650
3.5	1800	3.5	1680	5.0	860	6.0	500
4.0	1430	4.0	1370	6.0	680	7.0	410
4.5	1140	4.5	1120	7.0	530	8.0	360
5.0	950	5.0	910	8.0	420	9.0	320
5.62	790	5.5	790	9.0	340	10.0	290
		6.0	670	9.99	300	11.0	240
		7.0	510			12.16	210
		7.82	430				

The Total Rated Load Charts are based on the actual working radius including boom deflection. The weight of the hook (standard 4 fall - 30kg) must be included as part of the load shown in the Total Rated Load Charts.

When using two fall or single fall hooks, use the appropriate four fall Total Rated Load Chart above but with a maximum load of: Two fall - 1480kg, Single Fall - 750kg.

TECHNICAL SPECIFICATIONS

MAEDA MC305c-2

OFFERING THE BEST BALANCE OF POWER AND DESIGN

- Two Travel Speeds
- Programmable Moment Limiter
- Rubber Tracks
- Hydrostatic Transmission
- Centralised Controls
- 4 Fall / 2 Fall Hook Block
- Automatic Hook Stowage System
- Tilt Sensor / Alarm
- Powerful Winch with Hydraulic Disc Brake
- Two Speed Winch
- Fully Automatic Pentagonal Section Boom
- Cable Remote Controller



SPECIFICATIONS

Model:	1MC305C-2
Crane capacity:	2.98t x 2.5m
Max working radius:	12.16m
Max lifting height:	12.52m
Hook speed:	13.5m / min. (4 falls, 4th layer)
Single line speed:	54m / min. (4th layer)
Hoist rope:	IWRC 6 x WS(26) 8mm x 73m
TELESCOPIC SYSTEM	
Boom length:	3.695m - 12.485m
Telescoping speed:	8.79m / 38 sec. (26 sec.)
Boom type:	Fully automatic 5 section pentagon telescopic boom
BOOM HOIST SYSTEM	
Hoist angle / speed:	0 - 80° / 21 sec. (14.5 sec.)
SLEW SYSTEM	
Slew angle / speed:	360° / 2.4 rpm (1.7 rpm)
OUTRIGGER SYSTEM	
Type:	Extension and set up by direct acting hydraulic cylinders
Max ext. dimensions:	(Length) 4888mm x (Front) 4504mm x (Rear) 4396mm
TRACTION SYSTEM	
Drive:	Hydraulic motor driven, stepless speed changer
Travel speed:	0 - 2.8 km/h (1.3 km/h)
Gradability:	23°
Crawler length x width:	1750mm x 300mm
Ground pressure:	36.3 kpa (0.37 kgf/cm ²)
ENGINE	
Model:	Yanmar 3TNV76
Type:	3 cylinder water cooled diesel, 1.15 litre
Rated output:	15.2kw / 2500min ² (20.7PS/2500rpm)
Starting method:	Electric
Fuel / fuel tank capacity:	Diesel / 40L
REMOTE CONTROL SYSTEM	
Type:	Cable remote controller, micro-speed mode, load display for transmitter, outrigger operation
DIMENSIONS	
Length x Width x Height:	4285mm x 1280mm x 1695mm
Weight MC305C-2:	3900kg 4040kg (with electric motor)
STANDARD EQUIPMENT	
	Overwind protection, load indicator, hydraulic safety valve, wire rope latch, level, machine body inclination alarm, EMO switch, travel lock lever, outrigger interlock device, moment limiter, rotary lamp, hour-meter, 4-fall / 2 fall hook block
OPTIONAL EQUIPMENT	
	Radio remote control, white rubber tracks, single fall hook, searcher hook, electric motor.